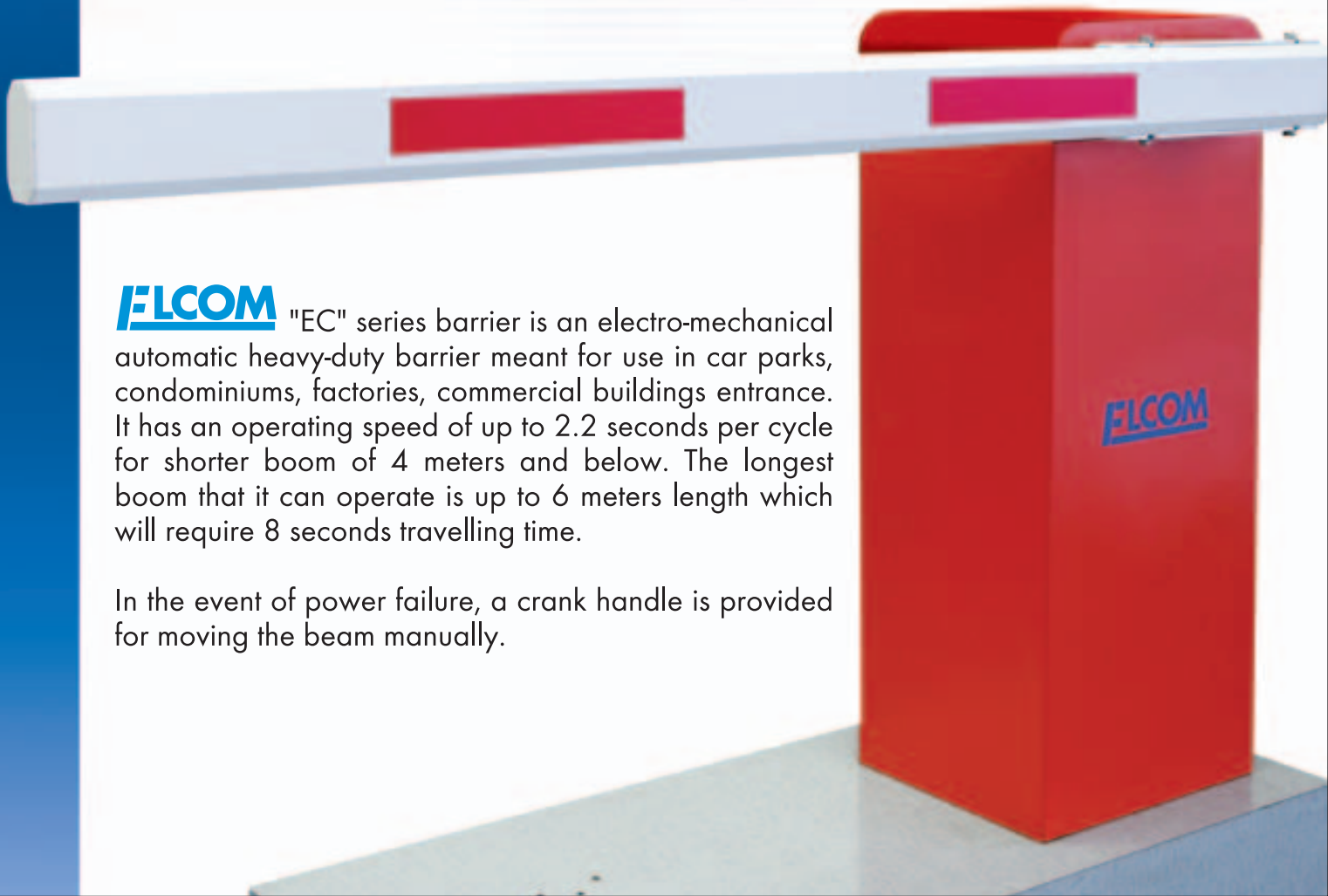
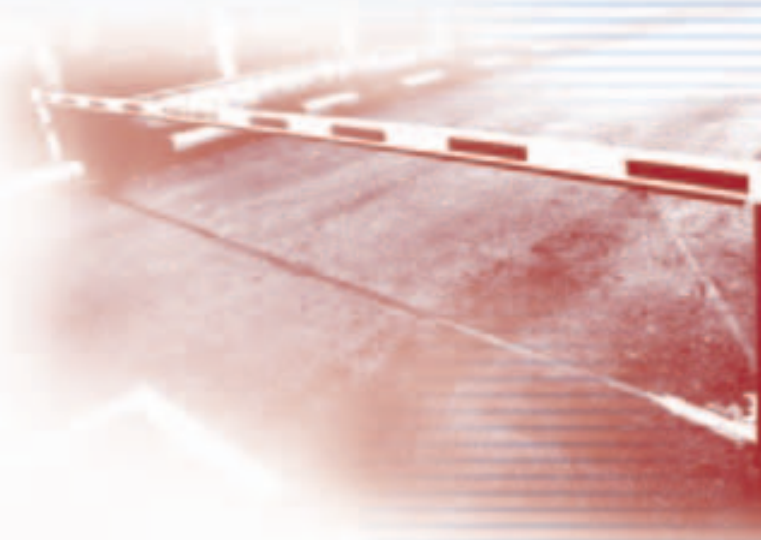
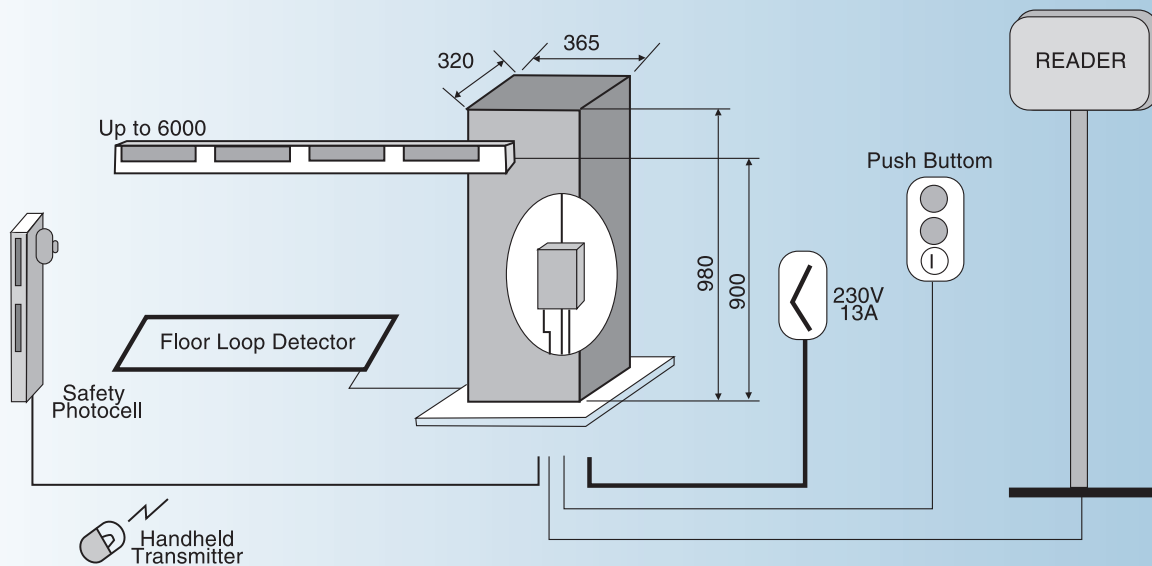


Automatic Parking Barriers



FLCOM "EC" series barrier is an electro-mechanical automatic heavy-duty barrier meant for use in car parks, condominiums, factories, commercial buildings entrance. It has an operating speed of up to 2.2 seconds per cycle for shorter boom of 4 meters and below. The longest boom that it can operate is up to 6 meters length which will require 8 seconds travelling time.

In the event of power failure, a crank handle is provided for moving the beam manually.



Main Characteristics

- Steel frame and structure is fully Hot Dip Galvanized with Powder Coated Paint finishing to ensure against corrosion.
- Easily change of positioning from Right to Left hand.
- Installation of Barrier to ground is simplified with the ready provided holes for mounting.
- Air-cooled Electric Motor coupled to Oil Bath Worm Gearbox.
- Easy access to fine tune of boom position.

Technical Specifications

Model	EC - 3	EC - 6
Power supply	Single phase 230V 50Hz	
Motor power	180 W	
Absorbed current	1.4A	
Motor speed	1400 rpm	
Reduction ratio	1/80	1/300
Max. boom length	3 - 4m	5 - 6m
Opening/closing time	2.2 sec.	8 sec.
Thermal protection	138°	
Type of limit switch	Micro-limit switches	
Manual release	Crank handle	
Protection	IP 55	
Environmental conditions	-15 °C to +60 °C	