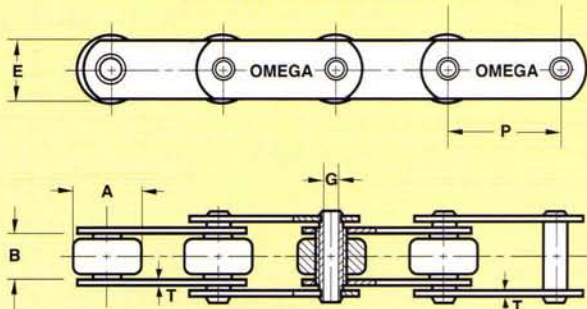
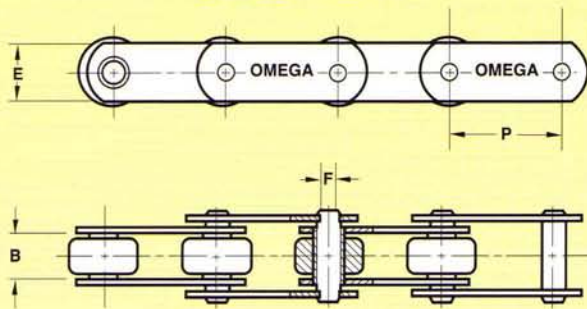


OMEGA CHAINS

HOLLOW BEARING PINS

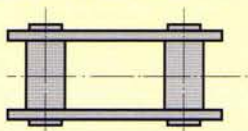


SOLID BEARING PINS

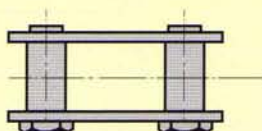


PITCH P		BREAKING LOAD		A	B	T		E	F	G
in	mm	HOLLOW PIN	SOLID PIN	Roller Dia	Inside Width	Inner	Outer	Plate Height	Solid Stud	Hollow Stud Bore
4	101.6	6,000 lbs	7,500 lbs	31.8	15.2	4	4	26	14	10.1
4	101.6	12,000 lbs	15,000 lbs	47.6	19	5	4	40	19	13.2
6	152.4									
4	101.6	24,000 lbs	30,000 lbs	66.7	25.4	6.3	6.3	50	27	20.1
6	152.4									
6	152.4	36,000 lbs	45,000 lbs	90	38.1	8.3	8.3	65	31.7	23

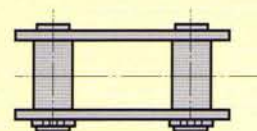
Connecting Links



RIVET TYPE



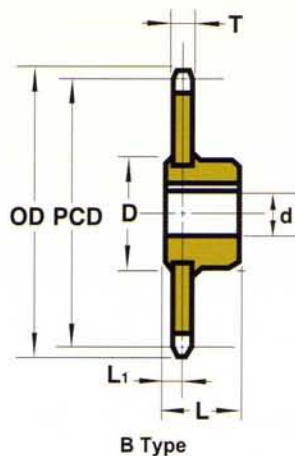
SCREWED TYPE



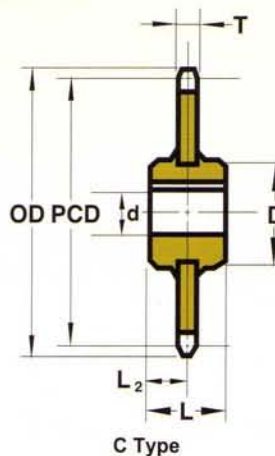
CIRCLIP TYPE

SPROCKETS

HOLLOW PIN	SOLID PIN	P		No. of TEETH	PITCH CIRCLE DIA. (PCD)	OUTER DIA. (O.D)	TEETH THICKNESS (T)	BORE DIAMETER (d)		HUB				Weight (approx) kg
		in	mm					Min.	Max	(D)	(L)	(L1)	(L2)	
6,000 lbs	7,500 lbs	4	101.6	8	265.49	287.0	12	31.75	69.85	105.4	83.82	16.0	41.91	12.2
				10	328.78	350.0								15.7
				12	392.55	414.0								20.0
12,000 lbs	15,000 lbs	4	101.6	8	265.49	298.0	16	31.75	76.2	114.3	91.44	17.78	45.72	15.8
				10	328.78	360.0								20.5
				12	392.55	425.0								26.2
12,000 lbs	15,000 lbs	6	152.4	8	398.24	430.0	16	31.75	76.2	114.3	91.44	17.78	45.72	26.8
				10	493.17	525.0								37.3
				12	588.83	620.0								50.2
24,000 lbs	30,000 lbs	4	101.6	8	265.49	310.0	22	38.1	101.6	152.4	121.92	20.32	60.96	28.8
				10	328.78	374.0								35.3
				12	392.55	438.0								43.2
24,000 lbs	30,000 lbs	6	152.4	8	398.24	444.0	22	38.1	101.6	152.4	121.92	20.32	60.96	43.9
				10	493.17	539.0								58.5
				12	588.83	634.0								76.2



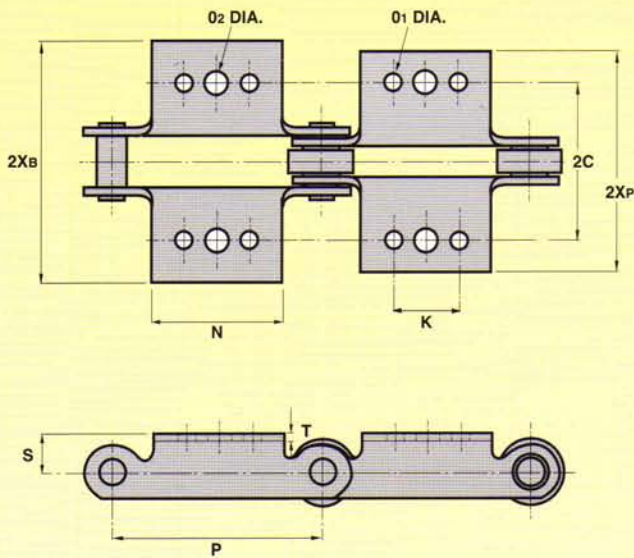
B Type



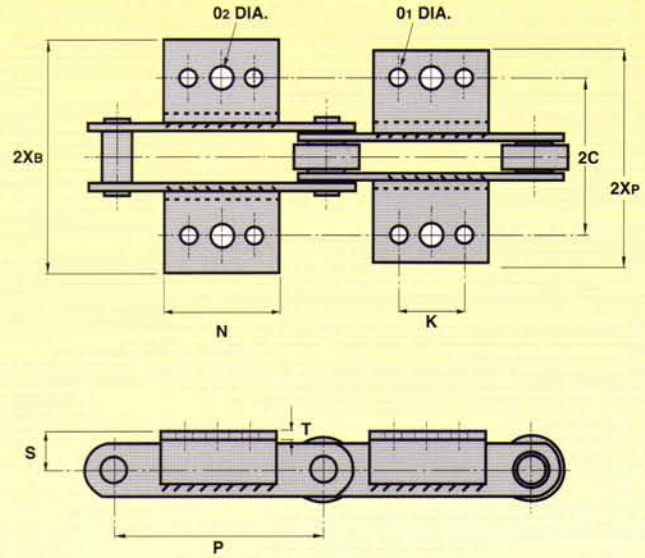
C Type

CHAIN WITH ATTACHMENTS

Integral K Attachments



Welded K Attachments



Integral K Attachments (one side or both side)

K2 = 2 Holes K3 = 3 Holes

HOLLOW PIN	SOLID PIN	P		N	K	O1	O2	2C	S	2Xp	2XB	T
		in	mm									
6,000 lbs	7,500 lbs	4	101.6	64	31.8	9.4	10.7	76.2	19	107	118	4
12,000 lbs	15,000 lbs	4 6	101.6 152.4	63.5 114.5	31.8 57.2	10.7	14	88.9	31.8	119	129	4

Welded K Type Attachments (one side or both side)

K2 = 2 Holes K3 = 3 Holes

HOLLOW PIN	SOLID PIN	P		N	K	O1	O2	2C	S	2Xp	2XB	T
		in	mm									
6,000 lbs	7,500 lbs	4	101.6	56	31.8	9.4	10.7	76.2	19	103	114	5
12,000 lbs	15,000 lbs	4 6	101.6 152.4	56 84	31.8 57.2	10.7	14	88.9	31.8	119	122	5
24,000 lbs	30,000 lbs	4 6	101.6 152.4	56 84	31.8 57.2	12.4	15.5	108	38.1	140	145	6
36,000 lbs	45,000 lbs	6	152.4	70	31.8	14	17	146	51	195	195	8