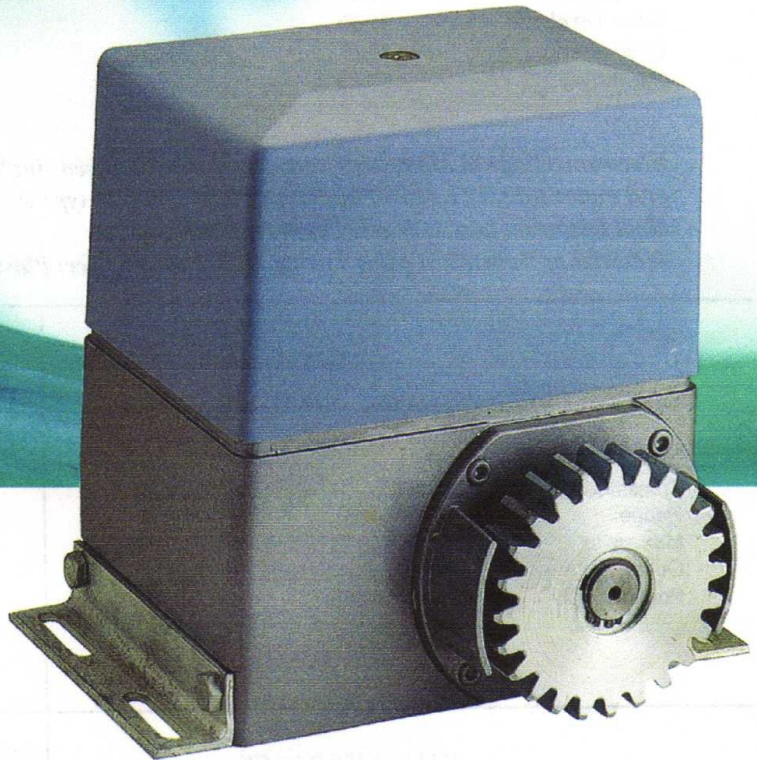


Automation for Sliding gate

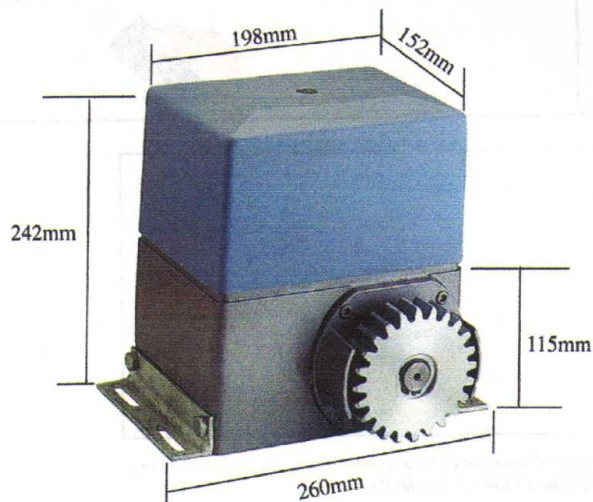
K 200

THE PERFECT HEART



- *Strong* • *Safe* • *Secure*
- *Reliable* • *Convenient*
- *Prestigious*

ELECTROMECHANICAL WORM GEAR MOTOR
IN OIL BATH FOR SLIDING GATE.



FOR ANY GATE

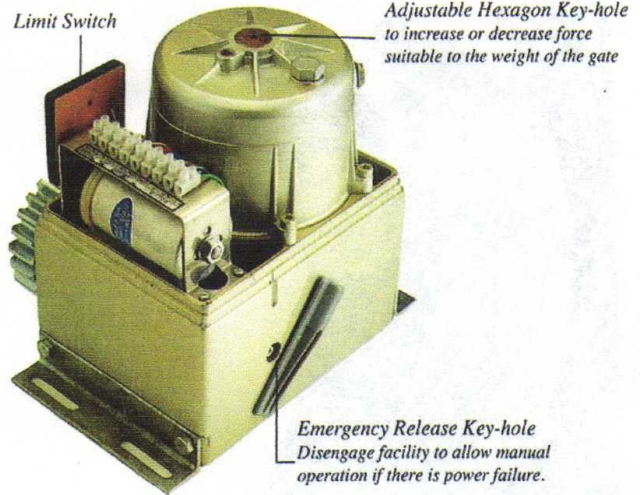


Design and constructed with Highly Resistent Material to atmospheric corrosion , allows the system to silently manoeuvres all kind of sliding Gates weight up to 1000kg use in both Industrial and Residential environment.

TECHNICAL SPECIFICATION

Electromechanical Worm Gear Motor

| | |
|---------------------|--|
| Limit Switch | : Mechanical or Magnetic Type |
| Motor | : Oil Bath Type |
| Power Supply | : 220V - 50Hz (Single Phase) : 380V/415V - 50Hz (Three Phase) |
| Travelling Speed | : Single Phase > 12m/min : Three Phase > 18m/min |
| Thrust Force | : Single Phase - > 368N : Three Phase - > 500N |
| Working Temperature | : -30°C to 80°C |
| Motor RPM | : 1400 |
| Noise Level | : 65 dB |
| Condenser | : 20µF. |
| Net Weight | : 17 Kg |



Electromechanical Motor unit consists of small, rugged single block casting containing the worm gear and motor unit. The geared motor unit is of Oil Bath type with Low Component Wear and Excellent Heat Dispersal to ensure maximum reliability.
Material of Body: Cast Alloy Casing, Material of Cover: Plastic.

REMOTE TRANSMITTER AND RECEIVER

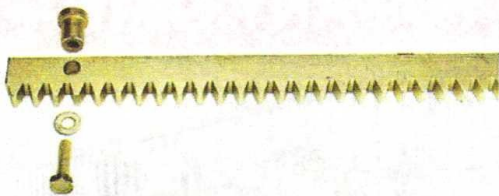
| | |
|-------------------|---|
| Type | Battery-operated, crystal controlled, frequency modulated radiowave |
| Transmission Band | 330MHZ |
| Range | 20 - 30 meter |
| Max. up to | Learn up to 25 transmitters |
| Output | Two Channel outputs |
| Power Supply | Single 12V GP-23A battery |

ELECTRONIC CONTROLLER

| | |
|---------------------|--|
| Type | Microprocessor with solid state integrated circuit for total control and encased in a weather resistant casing |
| Power Supply | Voltage - 230 volts Current - 13 Amps Frequency 50 Hz |
| Timer | Adjustable to control sequence of motor operations and to cut off current supplies to motor |
| External Dimensions | 310mm x 250mm x 130mm |

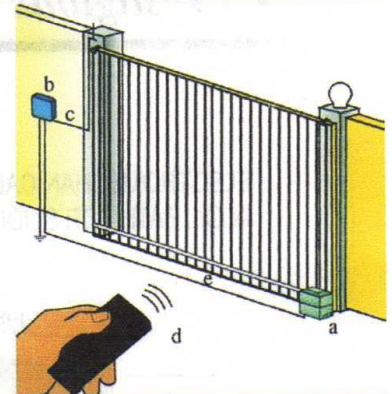
GALVANISED RACK

Model: Module 4
Attachment: Spacers & Bolts
Size: 1000m(L) x 12mm(W) x 30mm(H)



COMPLETE SET PACKING

- consist of:
- 1 unit of Electromechanical Worm Gear Motor
 - 1 pc of Electronic Controller
 - 1 pc of Receiver
 - 2 pcs of Remote Transmitters
 - 4 pcs of Galvanised Racks



Distributor

As we are continually investigating methods of improving products and introducing new technology, we reserve the right to modify data and features shown in this leaflet.